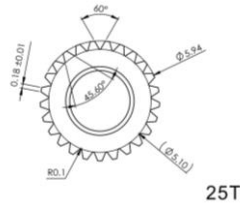
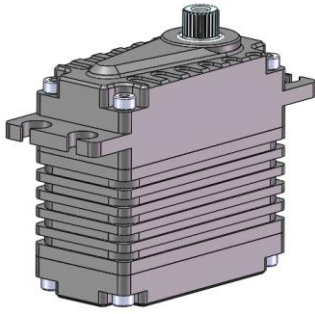
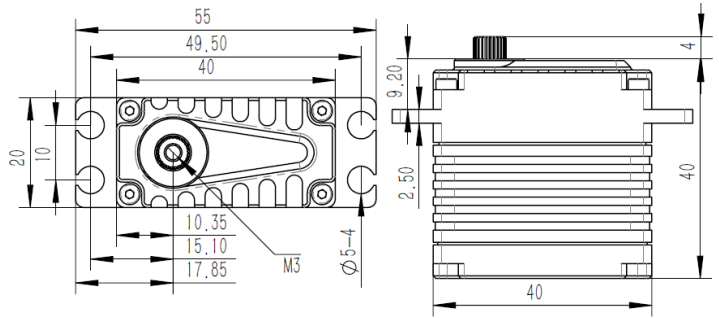


SV8510 Technical Specification



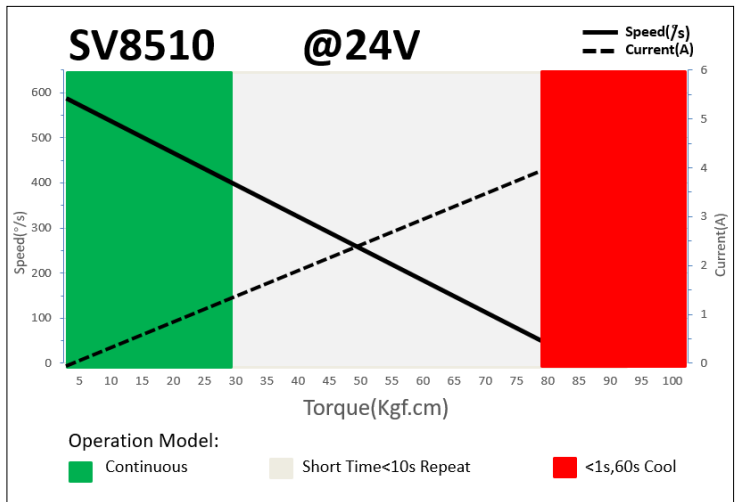
25T 6mm Output Shaft Spline



1. Operating Data

Rated Voltage	DC24V
Voltage Range	DC24V-28V
Torque	85Kgf.cm@24V
	90Kgf.cm@28V
Speed	0.10sec/60°@24V
	0.09sec/60°@28V
Stalling Current	5.25A@24V
	5.85A@28V
Working Frequency	1520us/333Hz
Default Travel Angle	±100° =200° Total
Temperature Range	-10°C+65°C
Soft Start	Programable
Programable	Yes
Case Material	Aluminum Alloy
Motor Type	4 Pole Brushless DC Motor
Gear Set Material	Hardened Steel/ HLS
Position Sensor	Contactless
Ball Bearing	6BB
Waterproof	IP65
Case Dimensions	40mm*20mm*40mm±0.2mm
Weight	80g±10%

2. Performance



3. Command signal PWM Command Interface

Signal Voltage	HIGH: min.3.3V, max.5.0V Low: min.0.0V, max.1.5V
Pulse Lengths	500us-2500us
Pulse Lengths for Position -100°/0°/+100°	500us/1500us/2500us

4. Electrical Connection

Pin Assignment			
1	Brown	DC-	Supply Ground
2	Red	DC+	Supply Voltage
3	Orange	Signal	PWM Command
4	White	FB	Feedback_PWM